

EU DECLARATION OF CONFORMITY  
DECLARACIÓN UE DE CONFORMIDAD



The company / La Empresa:

**BASOR ELECTRIC, S.A.**

Address / Dirección:

Av. Alcodar, 45-47, 46700. Gandía (VLC), Spain.

Declares that the product:

*Declara que el producto:*

**BASORTRAV BSL**

Installed in accordance to the installation standards, manufacturer's instructions and professional rules, duly maintained and used for the applications as intended.

*Instalado de acuerdo con las normas de instalación, instrucciones del fabricante y conforme a las reglas profesionales, debidamente mantenido y utilizado en las aplicaciones para las que está previsto.*

Complies with the essential requirements of the Council Directives:

*Cumple con los requisitos esenciales de las Directivas del Consejo:*

**2014/35/UE (Low Voltage Directive) / (Directiva de Baja Tensión)**

Incorporated in the Spanish Legislation in: R.D. 7/1988 and its modification R.D. 154/1995.

*Incorporado en la Legislación Española en: R.D. 7/1988 y su modificación R.D. 154/1995.*

And it is suitable and safe for the intended use and it is in conformity with the following standard:

*Es adecuado y seguro para el uso a que está destinado y es conforme con la siguiente norma:*

**UNE EN 61537**

Additional information:

*Información adicional:*

This product is intended to be installed and maintained by skilled persons, it may be used by ordinary persons only as a replacement part, to substitute for an identical device.

*Este producto está previsto para ser instalado y mantenido por un profesional, puede ser usado por una persona no formada para reemplazamiento de uno idéntico.*

Place and date:

*Lugar y fecha:*

Gandía April 2016

*Gandía Abril 2016*

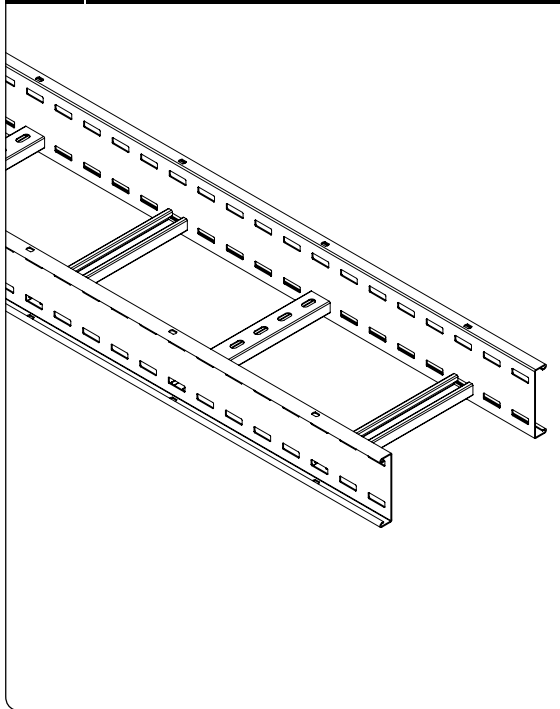
Technical department / Departamento Técnico



Certificado Nº SGI 3198065/11

Certificado Nº SGI 3198065/12

**BSL**



**Models (BxH):**

100x50x1,5; 150x50x1,5; 300x50x1,5; 450x50x1,5; 600x50x1,5; 750x50x1,5; 900x50x1,5;  
100x100x1,5; 150x100x1,5; 300x100x1,5; 450x100x1,5; 600x100x1,5; 750x100x1,5;  
900x100x1,5; 150x125x2; 300x125x2; 450x125x2; 600x125x2; 750x125x2; 900x125x2;  
150x150x2; 300x150x2; 450x150x2; 600x150x2; 750x150x2; 900x150x2.

Materials/Finishes: GC, ss304, ss316.

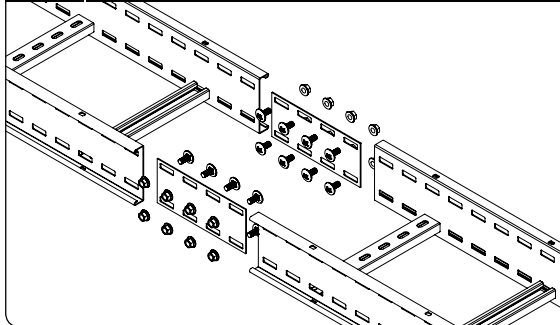
**Characteristics of the tray**

- Metallic
- Non-flame propagating component
- System with electrical continuity
- Electrically conductive component
- Impact Strength: 20J
- Minimum temperature of - 50 °C
- Maximum temperature of 150 °C
- Metallic material/coating, resistance to corrosion:
  - Hot Dip Galvanized: class 6
  - ss304: class 9C    ss316: class 9D
- ss ladders are cleaned, descaled and passivated acc. to ASTM A380&A967

- Classification according to free base area

Base Modelos	Clasificación
100	Y
150	Y
300	Y
450	Y
600	Y
750	Y
900	Y

**ASSEMBLY INSTRUCTIONS**



- To set-up two ladders 2 union joints and 16 B3 bolt&nut sets are needed.
- The tray installation for an electrical system should NOT run under other types of canalisations such as water, vapour or gas.
- To guarantee a good ventilation we recommend installing the trays keeping a minimum distance of 250 mm between each tray.
- Trays which are placed on supports shall have to keep a gap of 20 mm from the wall to allow for a correct ventilation of the cables.

**Accessories:**

BSL cable ladders have a large range of accessories: horizontal bends, vertical inside bends, vertical outside bend, tee derivation, cross derivation, union joint, vertical articulated union joint, horizontal hinged union joint, ladder to support fixing clamp.

Standard Radius: 300, 600 mm.

**SAFE WORKING LOAD**

	Support Spacing (m)					
	2	2,5	3	4	5	6
	Safe Working Load (kg/m)					
<b>BSL H75x1,5</b>	219	140	98	-	-	-
<b>BSL H100x1,5</b>	325	208	144	81	52	-
<b>BSL H125x2</b>	-	368	255	144	92	64
<b>BSL H150x2</b>	-	-	335	189	121	84

Note: For Support spans wider than 3 meters ask for 6 m lenght ladders or wide span special union joints.